

Zero Check

2026

Precision Gages for Industry



Z-Check .0001" Tolerance Plugs	1
Handles and Bushings	2
Customer Specified Steel Plugs	3
Steel Rings	4
Flange Steel Rings	5
Carbide Rings	6
Trilocks	7
Taperlocks	8
Master Setting Discs .150" – 6.010"	9
Progressive Gages (Taperlocks & Trilocks)	10
Dimensions For Progressive Plug Gages	11
Calibration and Ordering info	12

PRICES SUBJECT TO CHANGE WITHOUT NOTICE

www.ZEROCHECK.com

Tel: 860-283-5629

297 Reynolds Bridge Road Thomaston, CT 06787

2026 Catalog

Z-Check .0001" Tolerance Plugs

Precision Plug / Pin Gages of the reversible wire type, Class Z features:

- Thru-Hardened & Stabilized, 60-62 Rc
- .040" to .5105" in .0005" increments, Go or Nogo
- Gages are Lapped to Finish size, Not Ground
- Calibration and Ordering info found on page 12



Handle Number	Size Range	Member Only	Complete Z-Check	Handle & Bushings ONLY
1W	.040-.075	\$37.00	\$93.00	\$19.00
2W	.075-.180	\$33.00	\$86.00	\$20.00
3W	.180-.281	\$30.00	\$81.00	\$21.00
4W	.281-.406	\$35.00	\$93.00	\$23.00
5W	.406-.510	\$36.00	\$98.00	\$26.00



**STOCK SIZES
FOR QUICK DELIVERY
.0400" TO .5105"
.0005" INCREMENTS**

**Z-CHECK
PLUG GAGES**



Handles and Bushings



Bushing Number	Size Range	
	Above	Thru
1W	010	0.005 0.010
	015	0.010 0.015
	020	0.015 0.020
	025	0.020 0.025
	030	0.025 0.030
	035	0.030 0.035
	040	0.035 0.040
	045	0.040 0.045
	050	0.045 0.050
	055	0.050 0.055
	060	0.055 0.060
	065	0.060 0.065
	070	0.065 0.070
	075	0.070 0.075
2W	082	0.075 0.082
	089	0.082 0.089
	096	0.089 0.096
	103	0.096 0.103
	110	0.103 0.110
	117	0.110 0.117
	124	0.117 0.124
	131	0.124 0.131
	138	0.131 0.138
	145	0.138 0.145
	152	0.145 0.152
	159	0.152 0.159
	166	0.159 0.166
	173	0.166 0.173
	180	0.173 0.180

Bushing Number	Size Range	
	Above	Thru
3W	188	0.180 0.188
	196	0.188 0.196
	204	0.196 0.204
	212	0.204 0.212
	220	0.212 0.220
	228	0.220 0.228
	236	0.228 0.236
	244	0.236 0.244
	252	0.244 0.252
	261	0.252 0.261
	271	0.261 0.271
	281	0.271 0.281
4W	291	0.281 0.291
	301	0.291 0.301
	311	0.301 0.311
	321	0.311 0.321
	331	0.321 0.331
	341	0.331 0.341
	351	0.341 0.351
	361	0.351 0.361
	371	0.361 0.371
	382	0.371 0.382
	394	0.382 0.394
	406	0.394 0.406

Bushing Number	Size Range	
	Above	Thru
5W	420	.406 .420
	435	.420 .435
	450	.435 .450
	465	.450 .465
	480	.465 .480
	495	.480 .495
6W	510	.495 .510
	532	.510 .532
	547	.532 .547
	563	.547 .563
	579	.563 .579
	594	.579 .594
	610	.594 .610
	625	.610 .625
	635	.625 .635
7W	656	.635 .656
	672	.656 .672
	688	.672 .688
	704	.688 .704
	719	.704 .719
	735	.719 .735
	750	.735 .750
	760	.750 .760
8W	781	.760 .781
	812	.781 .812
	843	.812 .843
	875	.843 .875
	906	.875 .906
	937	.906 .937
	968	.937 .968
	1000	.968 1.010

Please specify either D.E.
(double end) or S.E. GO
(single end Go) or S.E. No Go
(single end No Go).
NOTE: Any handle marking for
this listing will be \$10.00 per line.



Handle and Bushings

Size Number	Size Range	Unmarked	
		Handle Only	Bushing Only
1W	.010" - .075"	\$11.00ea	\$4.00ea
2W	.075" - .180"	12.00	4.00
3W	.180" - .281"	13.00	4.00
4W	.281" - .406"	14.00	4.50
5W	.406" - .510"	17.00	4.50
6W	.510" - .635"	20.00	5.00
7W	.635" - .760"	24.00	5.50
8W	.760" - 1.010"	29.00	6.00

Customer Specified Steel Plugs

- Reversible Wire-Type Pin Gage Members
- Thru-Hardened & Stabilized, 60-62 Rc
- 2" standard length, Inch or Metric sizes
- Go Plus tolerance / Nogo Minus tolerance
- Longer than standard lengths [Quoted on request](#)
- Sizes above or below those listed [Quoted on request](#)
- Chrome & Carbide [Quoted on request](#)
- "ONE COMPLETE" means a Go member and a Nogo member in a double-ended handle, marked for size and class
- All Gages are Lapped to Finish size, Not Ground
- Calibration and Ordering info found on page 12



Range Above	Thru	Class	Tolerance in Inches	1	3+	One Complete
.020"	.040"	XX	.000020	\$110.00	\$104.00	\$239.00
(.508mm	1.016mm)	X	.000040	85.00	81.00	189.00
(1W Handle	\$19.00)	Y	.000070	70.00	67.00	159.00
		Z	.000100	55.00	52.00	129.00
.040"	.075"	XX	.000020	\$98.00	\$93.00	\$215.00
(1.016mm	1.91mm)	X	.000040	75.00	71.00	169.00
(1W Handle	\$19.00)	Y	.000070	62.00	59.00	143.00
		Z	.000100	48.00	46.00	115.00
.075"	.180"	XX	.000020	\$88.00	\$84.00	\$196.00
(1.91mm	4.57mm)	X	.000040	67.00	64.00	154.00
(2W Handle	\$20.00)	Y	.000070	55.00	52.00	130.00
		Z	.000100	43.00	41.00	106.00
.180"	.281"	XX	.000020	\$86.00	\$82.00	\$193.00
(4.57mm	7.14mm)	X	.000040	65.00	62.00	151.00
(3W Handle	\$21.00)	Y	.000070	53.00	51.00	127.00
		Z	.000100	41.00	39.00	103.00
.281"	.406"	XX	.000020	\$94.00	\$90.00	\$211.00
(7.14mm	10.31mm)	X	.000040	69.00	66.00	161.00
(4W Handle	\$23.00)	Y	.000070	57.00	55.00	137.00
		Z	.000100	44.00	42.00	111.00
.406"	.510"	XX	.000020	\$102.00	\$98.00	\$230.00
(10.31mm	12.95mm)	X	.000040	77.00	74.00	180.00
(5W Handle	\$26.00)	Y	.000070	64.00	62.00	154.00
		Z	.000100	52.00	50.00	130.00
.510"	.635"	XX	.000020	\$111.00	\$107.00	\$252.00
(12.95mm	16.13mm)	X	.000040	86.00	83.00	202.00
(6W Handle	\$30.00)	Y	.000070	73.00	70.00	176.00
		Z	.000100	61.00	59.00	152.00
.635"	.760"	XX	.000020	\$127.00	\$122.00	\$289.00
(16.13mm	19.30mm)	X	.000040	98.00	94.00	231.00
(7W Handle	\$35.00)	Y	.000070	84.00	81.00	203.00
		Z	.000100	69.00	66.00	173.00
.760"	.825"	XX	.000020	\$148.00	\$142.00	\$337.00
(19.30mm	20.96mm)	X	.000040	114.00	110.00	269.00
(8W Handle	\$41.00)	Y	.000070	97.00	93.00	235.00
		Z	.000100	80.00	77.00	201.00
.825"	1.010"	XX	.000030	\$168.00	\$162.00	\$377.00
(20.96mm	25.65mm)	X	.000060	129.00	124.00	299.00
(8W Handle	\$41.00)	Y	.000090	108.00	104.00	257.00
		Z	.000120	88.00	85.00	217.00

Steel Rings

- Thru-hardened & Stabilized, 60-62 Rc
- Inch or Metric sizes
- Nogo Plus tolerance /Go Minus tolerance / Master (split) tolerance
- Sizes below .050" & class XXX [Quoted on request](#)
- Chrome & Custom features [Quoted on request](#)
- All Gages are Lapped to Finish size, Not Ground
- Calibration and Ordering info found on page 12



Range Above	Thru	Blank Size	Class	Tolerance in Inches	1	3+
.050" (1.27mm)	.070" 1.78mm)	Blank #00 15/16" O.D. 3/16" Long	XX	.000020	\$322.00	\$309.00
			X	.000040	284.00	271.00
			Y	.000070	263.00	250.00
			Z	.000100	242.00	229.00
.070" (1.78mm)	.100" 2.54mm)	Blank #00 15/16" O.D. 3/16" Long	XX	.000020	\$291.00	\$278.00
			X	.000040	253.00	240.00
			Y	.000070	232.00	219.00
			Z	.000100	211.00	198.00
.100" (2.54mm)	.150" 3.81mm)	Blank #00 15/16" O.D. 3/16" Long	XX	.000020	\$282.00	\$270.00
			X	.000040	244.00	232.00
			Y	.000070	223.00	211.00
			Z	.000100	202.00	190.00
.150" (3.81mm)	.240" 6.10mm)	Blank #0 15/16" O.D. 3/8" Long	XX	.000020	\$245.00	\$235.00
			X	.000040	209.00	199.00
			Y	.000070	189.00	179.00
			Z	.000100	170.00	160.00
.240" (6.10mm)	.365" 9.27mm)	Blank #1 1-1/8" O.D. 9/16" Long	XX	.000020	\$227.00	\$219.00
			X	.000040	191.00	183.00
			Y	.000070	171.00	163.00
			Z	.000100	152.00	144.00
.365" (9.27mm)	.510" 12.95mm)	Blank #2 1-3/8" O.D. 3/4" Long	XX	.000020	\$227.00	\$219.00
			X	.000040	191.00	183.00
			Y	.000070	171.00	163.00
			Z	.000100	152.00	144.00
.510" (12.95mm)	.825" 20.96mm)	Blank #3 1-3/4" O.D. 15/16" Long	XX	.000020	\$238.00	\$230.00
			X	.000040	200.00	192.00
			Y	.000070	179.00	171.00
			Z	.000100	158.00	150.00
.825" (20.96mm)	1.135" 28.83mm)	Blank #4 2-1/8" O.D. 1-1/8" Long	XX	.000030	\$264.00	\$255.00
			X	.000060	222.00	213.00
			Y	.000090	201.00	192.00
			Z	.000120	179.00	170.00
1.135" (28.83mm)	1.510" 38.35mm)	Blank #5 2-1/2" O.D. 1-5/16" Long	XX	.000030	\$286.00	\$277.00
			X	.000060	239.00	230.00
			Y	.000090	214.00	205.00
			Z	.000120	191.00	182.00

Ring Holders (for Steel and Carbide ring gages)

Ring Blank	A	B	C	Price
00	1-3/4	2-7/8	3/16	\$128.00
0	1-3/4	2-7/8	3/8	\$128.00
1	2-1/4	3-1/2	9/16	\$128.00
2	2 1/2	4-1/4	3/4	\$128.00
3	2-7/8	5	15/16	\$160.00
4	3-1/4	5-3/4	1 1/8	\$160.00
5	3-5/8	6-1/2	1-15/16	\$160.00



Flange Steel Rings

- Case hardened .050"+ deep & Stabilized, 58-62 Rc
- Inch or Metric Sizes
- Nogo Plus tolerance /Go Minus tolerance / Master (split) tolerance
- Chrome & Carbide [Quote on request](#)
- Class XXX & Custom features [Quoted on request](#)
- All Gages are Lapped to Finish size, Not Ground
- Calibration and Ordering info found on page 12



Range Above	Thru	Blank Size	Class	Tolerance in Inches	1	3+
1.510"	2.010"	Blank #6	XX	.000040	\$370.00	\$357.00
(38.35mm	51.05mm)	4" O.D.	X	.000080	315.00	302.00
		1-1/2" Long	Y	.000120	288.00	275.00
			Z	.000160	260.00	247.00
2.010"	2.510"	Blank #7	XX	.000040	\$413.00	\$400.00
(51.05mm	63.75mm)	4-1/2" O.D.	X	.000080	353.00	340.00
		1-1/2" Long	Y	.000120	323.00	310.00
			Z	.000160	293.00	280.00
2.510"	3.010"	Blank #8	XX	.000050	\$462.00	\$448.00
(63.75mm	76.45mm)	5" O.D.	X	.000100	397.00	383.00
		1-1/2" Long	Y	.000150	364.00	350.00
			Z	.000200	332.00	318.00
3.010"	3.510"	Blank #9	XX	.000050	\$552.00	\$538.00
(76.45mm	89.15mm)	5-1/2" O.D.	X	.000100	477.00	463.00
		1-1/2" Long	Y	.000150	439.00	425.00
			Z	.000200	401.00	387.00
3.510"	4.010"	Blank #10	XX	.000050	\$669.00	\$655.00
(89.15mm	101.85mm)	6-3/8" O.D.	X	.000100	568.00	554.00
		1-1/2" Long	Y	.000150	519.00	505.00
			Z	.000200	468.00	454.00
4.010"	4.760"	Blank #11	XX	.000065		Request Quote
(101.85mm	120.90mm)	7-1/4" O.D.	X	.000130		
		1-1/2" Long	Y	.000190		
			Z	.000250		
4.760"	5.510"	Blank #12	XX	.000065		Request Quote
(120.90mm	139.95mm)	8-1/4" O.D.	X	.000130		
		1-1/2" Long	Y	.000190		
			Z	.000250		

Custom rings and gages can be quoted for the following needs:

- Length
- Unique OD's for Clearance
- Thickness
- Slotted for Clearance
- Weight



Carbide Rings

- Tungsten carbide insert grade C2 or equivalent, Rc 91-93
- Inch or Metric sizes
- Nogo Plus tolerance / Go Minus tolerance / Master (split) tolerance
- Class XXX & Custom features [Quoted on request](#)
- Sizes above or below those listed [Quoted on request](#)
- All Gages are Lapped to Finish size, Not Ground
- Calibration and Ordering info found on page 12



Range				Tolerance		
Above	Thru	Blank Size	Class	in Inches	1	3+
.050"	.070"	Blank #00	XX	.000020		
(1.27mm	1.78mm)	15/16" O.D.	X	.000040		
		3/16" Long	Y	.000070		
			Z	.000100		
.070"	.100"	Blank #00	XX	.000020	Until Carbide	Until Carbide
(1.78mm	2.54mm)	15/16" O.D.	X	.000040	Prices Stabilize	Prices Stabilize
		3/16" Long	Y	.000070	Please	Please
			Z	.000100	Request Quote	Request Quote
.100"	.150"	Blank #00	XX	.000020	↓↓↓↓↓↓↓↓	↓↓↓↓↓↓↓↓
(2.54mm	3.81mm)	15/16" O.D.	X	.000040		
		3/16" Long	Y	.000070		
			Z	.000100		
.150"	.240"	Blank #0	XX	.000020		
(3.81mm	6.10mm)	15/16" O.D.	X	.000040		
		3/8" Long	Y	.000070		
			Z	.000100		
.240"	.365"	Blank #1	XX	.000020		
(6.10mm	9.27mm)	1-1/8" O.D.	X	.000040		
		9/16" Long	Y	.000070		
			Z	.000100		
.365"	.510"	Blank #2	XX	.000020		
(9.27mm	12.95mm)	1-3/8" O.D.	X	.000040		
		3/4" Long	Y	.000070		
			Z	.000100		
.510"	.825"	Blank #3	XX	.000020		
(12.95mm	20.96mm)	1-3/4" O.D.	X	.000040		
		15/16" Long	Y	.000070		
			Z	.000100		
.825"	1.135"	Blank #4	XX	.000030		
(20.96mm	28.83mm)	2-1/8" O.D.	X	.000060		
		1-1/8" Long	Y	.000090		
			Z	.000120		
1.135"	1.335"	Blank #5	XX	.000030		
(28.83mm	33.91mm)	2-1/2" O.D.	X	.000060		
		1-5/16" Long	Y	.000090		
			Z	.000120		
1.335"	1.510"	Blank #5	XX	.000030		
(33.91mm	38.35mm)	2-1/2" O.D.	X	.000060		
		1-5/16" Long	Y	.000090		
			Z	.000120		

Trilocks

- Thru-Hardened & Stabilized, 60-62 Rc up to 2.510"
- Inch or metric sizes
- Go Plus tolerance / Nogo Minus tolerance
- Chrome, Carbide, class XXX [Quoted on request](#)
- "One Complete" = Go &/or Nogo member bolted to handle
- All Gages are Lapped to Finish size, Not Ground
- Calibration and Ordering info found on page 12



Range Above	Thru	Class	Tolerance in Inches	Go Member	Nogo Member	One Complete	Handles Only Number, Size & Price
.760"	.947"	XX	.000030	\$204.00	\$204.00	\$431.00	2-1/2
(19.05mm	24.05mm)	X	.000060	164.00	164.00	351.00	1/2"Hex
Go 1-1/4"	Long	Y	.000090	144.00	144.00	311.00	4" Lg
Nogo 3/4"	Long	Z	.000120	124.00	124.00	271.00	\$23.00
.947"	1.135"	XX	.000030	\$207.00	\$203.00	\$433.00	3-1/2
(24.05mm	28.83mm)	X	.000060	167.00	163.00	353.00	5/8"Hex
Go 1-3/8"	Long	Y	.000090	147.00	143.00	313.00	4" Lg
Nogo 3/4"	Long	Z	.000120	127.00	123.00	273.00	\$23.00
1.135"	1.510"	XX	.000030	\$228.00	\$221.00	\$474.00	4-1/2
(28.83mm	38.35mm)	X	.000060	183.00	176.00	384.00	13/16"Hex
Go 1-1/2"	Long	Y	.000090	160.00	153.00	338.00	4" Lg
Nogo 3/4"	Long	Z	.000120	138.00	131.00	294.00	\$25.00
1.510"	2.010"	XX	.000040	\$251.00	\$242.00	\$521.00	5-1/2
(38.35mm	51.05mm)	X	.000080	206.00	197.00	431.00	1" Hex
Go 1-7/8"	Long	Y	.000120	184.00	175.00	387.00	4-1/4" Lg
Nogo 7/8"	Long	Z	.000160	161.00	152.00	341.00	\$28.00
2.010"	2.510"	XX	.000040	\$296.00	\$281.00	\$609.00	6
(51.05mm	63.75mm)	X	.000080	246.00	231.00	509.00	1-1/8"Hex
Go 2"	Long	Y	.000120	221.00	206.00	459.00	5" Lg
Nogo 7/8"	Long	Z	.000160	196.00	181.00	409.00	\$32.00
2.510"	3.010"	XX	.000050	\$376.00	\$356.00	\$771.00	7
(63.75mm	76.45mm)	X	.000100	321.00	301.00	661.00	1-1/4"Hex
Go 2"	Long	Y	.000150	294.00	274.00	607.00	6" Lg
Nogo 1"	Long	Z	.000200	266.00	246.00	551.00	\$39.00
3.010"	3.510"	XX	.000050	\$412.00	\$382.00	\$833.00	7
(76.45mm	89.15mm)	X	.000100	352.00	322.00	713.00	1-1/4"Hex
Go 2"	Long	Y	.000150	322.00	292.00	653.00	6" Lg
Nogo 1"	Long	Z	.000200	292.00	262.00	593.00	\$39.00
3.510"	4.010"	XX	.000050	\$456.00	\$426.00	\$921.00	7
(89.15mm	101.85mm)	X	.000100	391.00	361.00	791.00	1-1/4"Hex
Go 2-1/8"	Long	Y	.000150	359.00	329.00	727.00	6" Lg
Nogo 1"	Long	Z	.000200	326.00	296.00	661.00	\$39.00
4.010"	4.510"	XX	.000050	\$526.00	\$491.00	\$1,056.00	7
(101.85mm	114.55mm)	X	.000100	456.00	421.00	916.00	1-1/4"Hex
Go 2-1/8"	Long	Y	.000150	421.00	386.00	846.00	6" Lg
Nogo 1"	Long	Z	.000200	386.00	351.00	776.00	\$39.00
4.510"	5.010"	XX	.000065	\$616.00	\$576.00	\$1,231.00	7
(114.55mm	127.25mm)	X	.000130	541.00	501.00	1,081.00	1-1/4"Hex
Go 2-1/8"	Long	Y	.000190	504.00	464.00	1,007.00	6" Lg
Nogo 1"	Long	Z	.000250	466.00	426.00	931.00	\$39.00
5.010"	5.510"	XX	.000065	\$724.00	\$679.00	\$1,442.00	7
(127.25mm	139.95mm)	X	.000130	644.00	599.00	1,282.00	1-1/4"Hex
Go 2-1/8"	Long	Y	.000190	604.00	559.00	1,202.00	6" Lg
Nogo 1"	Long	Z	.000250	564.00	519.00	1,122.00	\$39.00
5.510"	6.010"	XX	.000065	\$826.00	\$776.00	\$1,641.00	7
(139.95mm	152.65mm)	X	.000130	741.00	691.00	1,471.00	1-1/4"Hex
Go 2-1/8"	Long	Y	.000190	699.00	649.00	1,387.00	6" Lg
Nogo 1"	Long	Z	.000250	656.00	606.00	1,301.00	\$39.00

Taperlocks

- Thru-Hardened & Stabilized blanks, Rc 60-62
- Inch or Metric sizes
- Go Plus tolerance / Nogo Minus tolerance
- Chrome & Carbide [Quoted on request](#)
- Sizes below .230" & class XXX [Quoted on request](#)
- "ONE COMPLETE" = Go &/or Nogo member fitted to a handle
- All Gages are Lapped to Finish size, Not Ground
- Calibration and Ordering info found on page 12



Range Above	Thru	Class	Tolerance in Inches	Go Member	Nogo Member	One Complete	Handles Only Number, Size & Price
.230"	.365"	XX	.000020	\$182.00	\$193.00	\$393.00	1
(5.84mm)	9.27mm)	X	.000040	149.00	160.00	327.00	3/8" Hex
Go 3/4"	Long	Y	.000070	133.00	144.00	295.00	2-3/4" Lg
Nogo 5/16"	Long	Z	.000100	117.00	128.00	263.00	\$18.00
.365"	.510"	XX	.000020	\$176.00	\$178.00	\$372.00	2
(9.27mm)	12.95mm)	X	.000040	143.00	145.00	306.00	1/2" Hex
Go 1"	Long	Y	.000070	127.00	129.00	274.00	3" Lg
Nogo 3/8"	Long	Z	.000100	111.00	113.00	242.00	\$18.00
.510"	.825"	XX	.000020	\$188.00	\$188.00	\$396.00	3
(12.95mm)	20.96mm)	X	.000040	155.00	155.00	330.00	11/16" Hex
Go 1-1/4"	Long	Y	.000070	139.00	139.00	298.00	3-1/4" Lg
Nogo 1/2"	Long	Z	.000100	123.00	123.00	266.00	\$20.00
.825"	1.135"	XX	.000030	\$209.00	\$205.00	\$434.00	4
(20.96mm)	28.83mm)	X	.000060	174.00	170.00	364.00	7/8" Hex
Go 1-1/2"	Long	Y	.000090	156.00	152.00	328.00	3-5/8" Lg
Nogo 5/8"	Long	Z	.000120	139.00	135.00	294.00	\$20.00
1.135"	1.510"	XX	.000030	\$230.00	\$223.00	\$476.00	5
(28.83mm)	38.35mm)	X	.000060	192.00	185.00	400.00	1" Hex
Go 1-5/8"	Long	Y	.000090	167.00	160.00	350.00	4" Lg
Nogo 3/4"	Long	Z	.000120	155.00	148.00	326.00	\$23.00

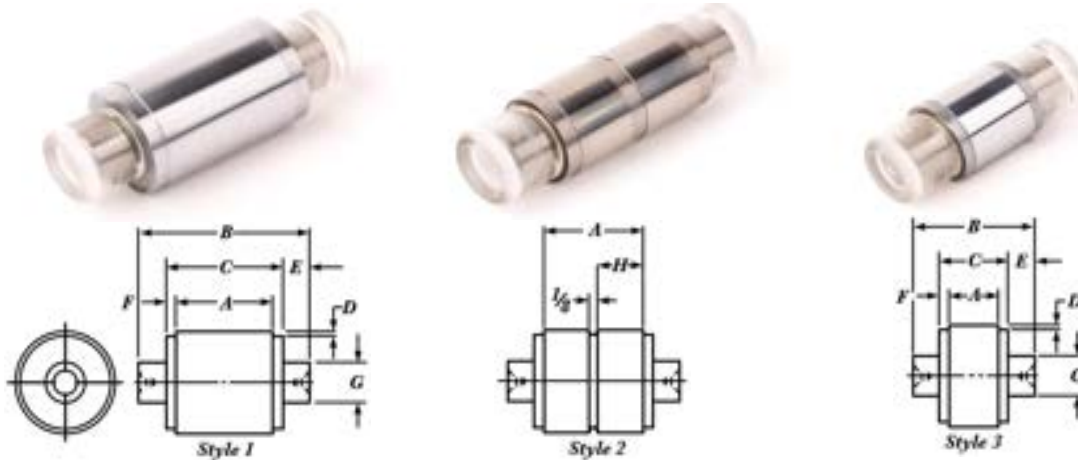
Master Setting Discs

- Thru-Hardened & Stabilized, Rc 60-62
- Inch or Metric sizes
- Chrome, Carbide, class XXX [Quoted on request](#)
- All Zero Check master setting discs are ring lapped to size and polished.
- Calibration and Ordering info found on page 12

Style 1
Bilateral Tolerance

Style 2
Unilateral Tolerance (Go plus / Nogo minus)

Style 3
Bilateral Tolerance



Grip No.	Size Range	Style 1 & Style 2								Style 3						
		A	B	C	D	E	F	G	H	A	B	C	D	E	F	G
00	.105 - .150	.750	1.562	1.062	.005	.250	.156	.050	.312	.375	1.187	.687	.005	.250	.156	.050
0	.150 - .230	.875	1.687	1.187	.005	.250	.156	.080	.375	.437	1.250	.750	.005	.250	.156	.080
1	.230 - .365	1.000	1.812	1.312	.010	.250	.156	.128	.437	.500	1.312	.812	.010	.250	.156	.128
2	.365 - .510	1.125	2.062	1.437	.010	.312	.156	.188	.500	.562	1.500	.875	.010	.312	.156	.188
3	.510 - .825	1.250	2.187	1.562	.010	.312	.156	.250	.562	.625	1.562	.937	.010	.312	.156	.250
4	.825 - 1.135	1.375	2.562	1.687	.010	.437	.156	.500	.625	.687	1.875	1.000	.010	.437	.156	.500
5	1.135 - 1.510	1.625	2.812	1.937	.010	.437	.156	.625	.750	.812	2.000	1.125	.010	.437	.156	.625

Range Above	Thru	Class	Tolerance in Inches	Style 1	Style 2	Style 3
0.150"	.230"	XX	.000020	\$217.00	\$456.00	\$228.00
		X	.000040	184.00	390.00	195.00
		Y	.000070	162.00	346.00	173.00
.230"	.365"	XX	.000020	\$207.00	\$436.00	\$218.00
		X	.000040	174.00	370.00	185.00
		Y	.000070	152.00	326.00	163.00
.365"	.510"	XX	.000020	\$204.00	\$408.00	\$204.00
		X	.000040	171.00	342.00	171.00
		Y	.000070	149.00	298.00	149.00
.510"	.825"	XX	.000020	\$211.00	\$410.00	\$205.00
		X	.000040	178.00	346.00	173.00
		Y	.000070	156.00	302.00	151.00
.825"	1.135"	XX	.000030	\$227.00	\$446.00	\$223.00
		X	.000060	192.00	376.00	188.00
		Y	.000090	167.00	326.00	163.00
1.135"	1.510"	XX	.000030	\$243.00	\$472.00	\$236.00
		X	.000060	205.00	396.00	198.00
		Y	.000090	178.00	342.00	171.00

- Sizes 1.510" thru 6.010" [Quoted on request](#)
- Standard AGD trilock blanks are used for all master discs above 1.510" -style 2 calls for two style 3 master discs separated by an AGD separator plate, linked together with a tie rod and insulators.

Progressive Gages

Taperlock style

- Range .230" to 1.510"
- Inch or Metric sizes
- Chrome, Carbide, class XXX [Quoted on request](#)
- Go Plus tolerance / Nogo Minus tolerance
- All Gages are Lapped to Finish size, Not Ground
- Calibration and Ordering info found on page 12



Range Above	Thru	Class	Tolerance in Inches	Gage Member Only	One Complete	Handle Only Number Size & Price
.230" (5.84mm)	.365" 9.27mm)	XX	.000020	\$375.00	\$393.00	1
		X	.000040	309.00	327.00	3/8" Hex
		Y	.000070	277.00	295.00	2-3/4" Lg
		Z	.000100	245.00	263.00	\$18.00
.365" (9.27mm)	.510" 12.95mm)	XX	.000020	\$354.00	\$372.00	2
		X	.000040	288.00	306.00	1/2" Hex
		Y	.000070	256.00	274.00	3" Lg
		Z	.000100	224.00	242.00	\$18.00
.510" (12.95mm)	.825" 20.95mm)	XX	.000020	\$376.00	\$396.00	3
		X	.000040	310.00	330.00	11/16" Hex
		Y	.000070	272.00	292.00	3-1/4" Lg
		Z	.000100	246.00	266.00	\$20.00
.825" (20.95mm)	1.135" 28.83mm)	XX	.000030	\$414.00	\$434.00	4
		X	.000060	344.00	364.00	7/8" Hex
		Y	.000090	308.00	328.00	3-5/8" Lg
		Z	.000120	274.00	294.00	\$20.00
1.135" (28.83mm)	1.510" 38.35mm)	XX	.000030	\$453.00	\$476.00	5
		X	.000060	377.00	400.00	1" Hex
		Y	.000090	327.00	350.00	4" Lg
		Z	.000120	303.00	326.00	\$23.00

Trilock style

- Thru-Hardened & Stabilized, 60-62 Rc. Range 1.510" to 2.510"
- Inch or Metric sizes
- Chrome, Carbide, class XXX [Quoted on request](#)
- Go Plus tolerance / Nogo Minus tolerance
- Calibration and Ordering info found on page 12



Range Above	Thru	Class	Tolerance in Inches	Gage Member Only	One Complete	Handle Only Number Size & Price
1.510" (38.35mm)	1.760" 44.70mm)	XX	.000040	\$493.00	\$521.00	5-1/2
		X	.000080	403.00	431.00	1" Hex
		Y	.000120	359.00	387.00	4-1/4" Lg
		Z	.000160	313.00	341.00	\$28.00
1.760" (44.70mm)	2.010" 51.05mm)	XX	.000040	\$518.00	\$546.00	5-1/2
		X	.000080	428.00	456.00	1" Hex
		Y	.000120	384.00	412.00	4-1/4" Lg
		Z	.000160	338.00	366.00	\$28.00
2.010" (51.05mm)	2.260" 57.40mm)	XX	.000040	\$577.00	\$609.00	6
		X	.000080	477.00	509.00	1-1/8" Hex
		Y	.000120	427.00	459.00	5" Lg
		Z	.000160	377.00	409.00	\$32.00
2.260" (57.40mm)	2.510" 63.75mm)	XX	.000040	\$602.00	\$634.00	6
		X	.000080	502.00	534.00	1-1/8" Hex
		Y	.000120	452.00	384.00	5" Lg
		Z	.000160	402.00	434.00	\$32.00

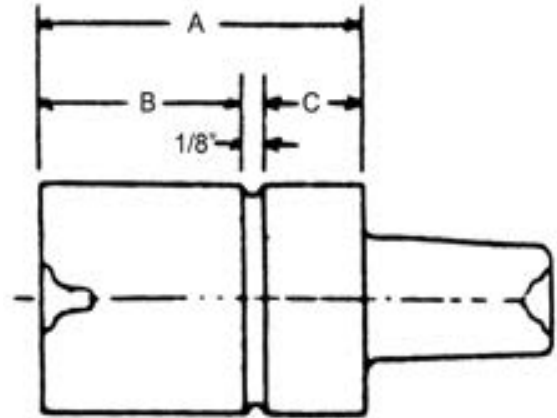
www.ZEROCHECK.com

Tel: 860-283-5629

297 Reynolds Bridge Road Thomaston, CT 06787

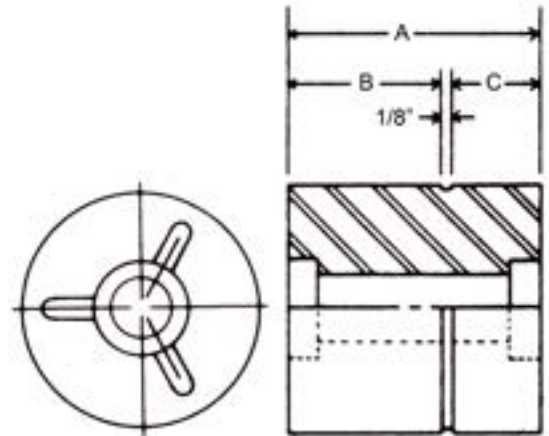
2026 Catalog

Progressive Gages



Taperlock style

HANDLE Number	INCHES		MILLIMETER		LENGTH		
	Above	To Include	Above	To Include	A (Total)	B (Go)	C (Nogo)
1	.240	.365	6.10mm	9.27mm	1-3/16	3/4	5/16
2	.365	.510	9.27mm	12.95mm	1-1/2	1	3/8
3	.510	.825	12.95mm	20.96mm	1-7/8	1-1/4	1/2
4	.825	1.135	20.96mm	28.83mm	2-1/8	1-3/8	5/8
5	1.135	1.510	28.83mm	38.35mm	2-3/8	1-1/2	3/4



Trilock style

HANDLE Number	INCHES		MILLIMETER		LENGTH		
	Above	To Include	Above	To Include	A (Total)	B (Go)	C (Nogo)
5-1/2	1.510	2.010	38.35mm	51.05mm	2-7/8	1-7/8	7/8
6	2.010	2.510	51.05mm	63.75mm	3	2	7/8

Calibration and Ordering info

- Please order by description (plug, trilock, taperlock, ring, etc) then quantity, size, class, then direction of tolerance (go, nogo, or master)
- "Completes" (handle with a go and nogo plug member) are best ordered by: quantity, go size, nogo size, class, and the word "complete"
- Redline priority rush service is available for all our product line. Redline Service will be quoted per individual job for price and delivery
- WARRANTY - Zero Check warrants all gages for 30 days from date of shipment except in cases of obvious customer abuse or mishandling. Zero Check offers no further warranties expressed or implied, and its responsibilities due to any defects or inaccuracies in any gage or certificates shall, in no event nor for any cause whatsoever, exceed the purchase price of the subject gage.
- SPECIAL MARKINGS - Identifying size and class are permanently stamped or etched at no extra cost. Additional customer specified marking w Additional customer specified marking is \$10 per line for Handles, Caps, Rings & Plug gages
- No minimum order

ALL PRICES ARE NET 30 DAYS, F.O.B. THOMASTON, CT, AND ARE SUBJECT TO CHANGE WITHOUT NOTICE.

Standard Gage Specification

- All gages are manufactured in accordance with ANSI specification B89.1.6.-2002
- Roundness and Taper of all Gages will not exceed 50% of the gage maker's tolerance and are non-accumulative
- All Cylindrical gages come with a standard .010"± radius / chamfer
- Unilateral tolerances (one way) on all Go, Nogo, Minimum, or Maximum gages
- Bilateral (split) on all Master or Set gages
- Carbide 91-93 Rc • Chrome 75-80 Rc • Steel 60-62 Rc



Traceable Certification by Zero Check

Ring & Plug Gages

"New"

Applies to a Certificate ordered at time of gage purchase

"Customer"

Applies to Gages Sent in to be Calibrated

	New	Customer
.040" - .060" (1.016mm-1.524mm)	\$35ea	\$65.00
.060" - .100" (1.524mm-2.54mm)	\$25ea	\$65.00
.100" - 2.010" (2.54mm-51.05mm)	\$25ea	\$65.00
2.010" - 6.010" (51.05mm-152.65mm)	\$35ea	\$75.00

Sizes below .040" and above 6.010"-----Quoted

Short Form Cert (Any Size) **\$4ea**

Certificate of Compliance/Conformance

Validating the gage is in size

For lost Certs Zero Check can supply replacements

Short certs \$2ea

Long Form \$10ea

CYLINDRICAL GAGE CALIBRATION

Customer _____ P.O. No. _____

Date of Inspection _____

Identification Marking _____

RING PLUG MASTER DISC

SPECIFIED SIZE _____ TOLERANCE _____

NOTES _____

POSITION

AXIS
X _____
Y _____

Measurements taken at center and 1/4" from end of top and bottom radius or chamfer. The 1" marking is taken through the axis of the hole or recessed. All measurements are based on the reference axis (DIN 1-15-1-88).

Inspection is performed from specified face. 1-Diameter out of tolerance.

The precision gage blocks used in measuring this gage have been calibrated with reference to master blocks which are trace able to NIST, Washington, D.C., through _____

TEST NO. _____ DATED _____

Block gage set serial number is _____

The size has been determined to be within ± .000010" at a reference temperature of 68°F / 20°C. We conform to ANSI / NCSL Z540-1-1994.

This certificate is neither a contract nor a contractual representation. The manufacturer's responsibilities due to any defects or inaccuracies in any gage or in the certification shall not in any event nor for any cause, whatsoever, exceed the purchase price of the pertinent gage.

ZERO CHECK

P.O. Box 903 • Thomaston, CT 06787 • Telephone 860-283-5629

LESS THAN AN INCH

.XXX THOUSANDTHS

.004 Four Thousandths
.056 Fifty-Six Thousandths
.483 Four Hundred Eighty-Three Thousandths



.XXXX TENTHS

.0007 Seven Tenths
.0048 Four Thousandths and Eight Tenths
.2573 Two Hundred Fifty-Seven Thousandths and Three Tenths



.XXXXXX MILLIONTHS

.000030 Thirty Millionths
.00003 Thirty Millionths
.000235 Two Tenths and Thirty-Five Millionths
.635428 Six Hundred Thirty-Five Thousandths, Four Tenths and Twenty Eight Millionths



www.ZEROCHECK.com

Tel: 860-283-5629

297 Reynolds Bridge Road Thomaston, CT 06787

2026 Catalog

GAGEMAKER'S TOLERANCE CHART

Range		Class-XX	Class-X	Class-Y	Class-Z
0.010"	0.825"	.000020	.000040	.000070	.000100
.254mm	20.95mm	0.5 μm	1.0 μm	1.75 μm	2.5 μm
0.825"	1.510"	.000030	.000060	.000090	.000120
20.95mm	38.35mm	0.75 μm	1.5 μm	2.25 μm	3.0 μm
1.510"	2.510"	.000040	.000080	.000120	.000160
38.35mm	63.75mm	1.0 μm	2.0 μm	3.0 μm	4.0 μm
2.510"	4.010"	.000050	.000100	.000150	.000200
63.75mm	101.85mm	1.25 μm	2.5 μm	3.75 μm	5.0 μm
4.010"	6.510"	.000065	.000130	.000190	.000250
101.85mm	165.35mm	1.625 μm	3.25 μm	4.75 μm	6.25 μm
6.510"	9.010"	.000080	.000160	.000240	.000320
165.35mm	228.85mm	2.0 μm	4.0 μm	6.0 μm	8.0 μm

Class XXX -- 1/2 of Class XX Tolerance



www.ZEROCHECK.com

Tel: 860-283-5629

297 Reynolds Bridge Road Thomaston, CT 06787

2026 Catalog