

ZERO CHECK

PRECISION GAGES FOR INDUSTRY



2024

TOLL FREE: 800-988-1566 | TEL: 860-283-5629
297 REYNOLDS BRIDGE ROAD THOMASTON, CT 06787
EMAIL: SALES@ZEROCHECK.COM

Zero Check

Precision Gages for Industry



Z-Check .0001" Tolerance Plugs	1
Handles and Bushings	2
Customer Specified Steel Plugs	3
Steel Rings	4
Flange Steel Rings	5
Carbide Rings	6
Trilocks	7
Taperlocks	8
Master Setting Discs .150" – 6.010"	9
Progressive Gages (Taperlocks & Trilocks)	10
Dimensions For Progressive Plug Gages	11
Calibration and Ordering info	12

www.ZEROCHECK.com

Tel: 860-283-5629

297 Reynolds Bridge Road Thomaston, CT 06787

2024 Catalog

Z-Check .0001" Tolerance Plugs

Precision Plug / Pin Gages of the reversible wire type, Class Z features:

- Ships in 1-2 business days
- Thru-Hardened & Stabilized, 60-62 Rc
- .040" to .5105" in .0005" increments, Go or Nogo, member only \$12ea
- Calibration and Ordering info found on page 12



Handle Number	Size Range	Complete Z-Check	Handle & Bushings ONLY
1W	.040-.075	\$43.00	\$19.00
2W	.075-.180	\$44.00	\$20.00
3W	.180-.281	\$45.00	\$21.00
4W	.281-.406	\$47.00	\$23.00
5W	.406-.510	\$50.00	\$26.00



\$12⁰⁰ per member

.040" to .5105" in .0005" incr..

**Z-CHECK
PLUG GAGES**



Handles and Bushings



Bushing Number	Size Range	
	Above	Thru
1W	010	0.005 0.010
	015	0.010 0.015
	020	0.015 0.020
	025	0.020 0.025
	030	0.025 0.030
	035	0.030 0.035
	040	0.035 0.040
	045	0.040 0.045
	050	0.045 0.050
	055	0.050 0.055
	060	0.055 0.060
	065	0.060 0.065
	070	0.065 0.070
	075	0.070 0.075
2W	082	0.075 0.082
	089	0.082 0.089
	096	0.089 0.096
	103	0.096 0.103
	110	0.103 0.110
	117	0.110 0.117
	124	0.117 0.124
	131	0.124 0.131
	138	0.131 0.138
	145	0.138 0.145
	152	0.145 0.152
	159	0.152 0.159
	166	0.159 0.166
	173	0.166 0.173
	180	0.173 0.180

Bushing Number	Size Range	
	Above	Thru
3W	188	0.180 0.188
	196	0.188 0.196
	204	0.196 0.204
	212	0.204 0.212
	220	0.212 0.220
	228	0.220 0.228
	236	0.228 0.236
	244	0.236 0.244
	252	0.244 0.252
	261	0.252 0.261
	271	0.261 0.271
	281	0.271 0.281
4W	291	0.281 0.291
	301	0.291 0.301
	311	0.301 0.311
	321	0.311 0.321
	331	0.321 0.331
	341	0.331 0.341
	351	0.341 0.351
	361	0.351 0.361
	371	0.361 0.371
	382	0.371 0.382
	394	0.382 0.394
	406	0.394 0.406

Bushing Number	Size Range	
	Above	Thru
5W	420	.406 .420
	435	.420 .435
	450	.435 .450
	465	.450 .465
	480	.465 .480
	495	.480 .495
6W	510	.495 .510
	532	.510 .532
	547	.532 .547
	563	.547 .563
	579	.563 .579
	594	.579 .594
	610	.594 .610
	625	.610 .625
	635	.625 .635
7W	656	.635 .656
	672	.656 .672
	688	.672 .688
	704	.688 .704
	719	.704 .719
	735	.719 .735
	750	.735 .750
	760	.750 .760
8W	781	.760 .781
	812	.781 .812
	843	.812 .843
	875	.843 .875
	906	.875 .906
	937	.906 .937
	968	.937 .968
	1000	.968 1.010

Please specify either D.E. (double end) or S.E. GO (single end Go) or S.E. No Go (single end No Go).
NOTE: Any handle marking for this listing will be \$5.00 per line.



Handle and Bushings

Size Number	Size Range	Unmarked Handle Only	Bushing Only
1W	.010" - .075"		
2W	.075" - .180"	12.00	4.00
3W	.180" - .281"	13.00	4.00
4W	.281" - .406"	14.00	4.50
5W	.406" - .510"	17.00	4.50
6W	.510" - .635"	20.00	5.00
7W	.635" - .760"	24.00	5.50
8W	.760" - 1.010"	29.00	6.00

Customer Specified Steel Plugs

- Reversible Wire-Type Pin Gage Members
- Thru-Hardened & Stabilized, 60-62 Rc
- 2" standard length, Inch or Metric sizes
- Longer than standard lengths [Quoted on request](#)
- Sizes above or below those listed [Quoted on request](#)
- Chrome & Carbide [Quoted on request](#)
- "ONE COMPLETE" means a Go member and a Nogo member in a double-ended handle, marked for size and class
- Go Plus tolerance / Nogo Minus tolerance
- Calibration and Ordering info found on page 12



Range Above	Thru	Class	Tolerance in Inches	1	3+	One Complete
.020"	.040"	XX	.000020	\$87.00	\$81.00	\$193.00
(.508mm	1.016mm)	X	.000040	68.00	64.00	155.00
(1W Handle	\$19.00)	Y	.000070	58.00	54.00	135.00
		Z	.000100	49.00	46.00	117.00
.040"	.075"	XX	.000020	\$78.00	\$73.00	\$175.00
(1.016mm	1.91mm)	X	.000040	60.00	56.00	139.00
(1W Handle	\$19.00)	Y	.000070	51.00	48.00	121.00
		Z	.000100	42.00	40.00	103.00
.075"	.180"	XX	.000020	\$71.00	\$67.00	\$162.00
(1.91mm	4.57mm)	X	.000040	54.00	51.00	128.00
(2W Handle	\$20.00)	Y	.000070	45.00	42.00	110.00
		Z	.000100	37.00	35.00	94.00
.180"	.281"	XX	.000020	\$70.00	\$66.00	\$161.00
(4.57mm	7.14mm)	X	.000040	53.00	50.00	127.00
(3W Handle	\$21.00)	Y	.000070	44.00	41.00	109.00
		Z	.000100	36.00	34.00	93.00
.281"	.406"	XX	.000020	\$74.00	\$69.00	\$171.00
(7.14mm	10.31mm)	X	.000040	56.00	53.00	135.00
(4W Handle	\$23.00)	Y	.000070	47.00	44.00	117.00
		Z	.000100	38.00	36.00	99.00
.406"	.510"	XX	.000020	\$82.00	\$77.00	\$190.00
(10.31mm	12.95mm)	X	.000040	63.00	59.00	152.00
(5W Handle	\$26.00)	Y	.000070	53.00	50.00	132.00
		Z	.000100	44.00	41.00	114.00
.510"	.635"	XX	.000020	\$96.00	\$90.00	\$222.00
(12.95mm	16.13mm)	X	.000040	73.00	68.00	176.00
(6W Handle	\$30.00)	Y	.000070	62.00	58.00	154.00
		Z	.000100	51.00	48.00	132.00
.635"	.760"	XX	.000020	\$109.00	\$102.00	\$253.00
(16.13mm	19.30mm)	X	.000040	84.00	79.00	203.00
(7W Handle	\$35.00)	Y	.000070	71.00	67.00	177.00
		Z	.000100	59.00	55.00	153.00
.760"	.825"	XX	.000020	\$128.00	\$120.00	\$299.00
(19.30mm	20.96mm)	X	.000040	98.00	92.00	237.00
(8W Handle	\$41.00)	Y	.000070	83.00	78.00	207.00
		Z	.000100	68.00	64.00	177.00
.825"	1.010"	XX	.000030	\$146.00	\$136.00	\$333.00
(20.96mm	25.65mm)	X	.000060	111.00	104.00	263.00
(8W Handle	\$41.00)	Y	.000090	93.00	87.00	227.00
		Z	.000120	76.00	71.00	193.00

Steel Rings

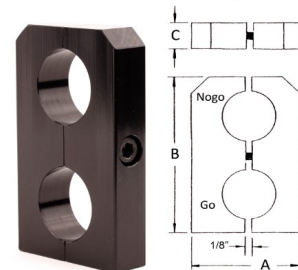
- Thru-hardened & Stabilized, 60-62 Rc
- Blanks .050" to 1.510" are stocked to facilitate quick deliveries
- Inch or Metric sizes
- Sizes below .050" [Quoted on request](#)
- Sharp ID corners [Quoted on request](#)
- Class XXX [Quoted on request](#)
- Chrome Plated rings above .250" [Quoted on request](#)
- Nogo Plus tolerance /Go Minus tolerance / Master (split) tolerance
- Ring gages are manufactured in accordance with ANSI specification B89.1.6.-1984
- Calibration and Ordering info found on page 12



Range Above	Thru	Blank Size	Class	Tolerance in Inches	1	3+
.050" (1.27mm)	.070" 1.78mm)	Blank #00 15/16" O.D. 3/16" Long	XX	.000020	\$302.00	\$281.00
			X	.000040	261.00	243.00
			Y	.000070	244.00	227.00
			Z	.000100	227.00	211.00
.070" (1.78mm)	.100" 2.54mm)	Blank #00 15/16" O.D. 3/16" Long	XX	.000020	\$271.00	\$252.00
			X	.000040	231.00	215.00
			Y	.000070	216.00	201.00
			Z	.000100	201.00	187.00
.100" (2.54mm)	.150" 3.81mm)	Blank #00 15/16" O.D. 3/16" Long	XX	.000020	\$265.00	\$247.00
			X	.000040	230.00	214.00
			Y	.000070	212.00	197.00
			Z	.000100	195.00	182.00
.150" (3.81mm)	.240" 6.10mm)	Blank #0 15/16" O.D. 3/8" Long	XX	.000020	\$218.00	\$203.00
			X	.000040	183.00	171.00
			Y	.000070	165.00	154.00
			Z	.000100	148.00	138.00
.240" (6.10mm)	.365" 9.27mm)	Blank #1 1-1/8" O.D. 9/16" Long	XX	.000020	\$197.00	\$184.00
			X	.000040	165.00	153.00
			Y	.000070	149.00	138.00
			Z	.000100	132.00	123.00
.365" (9.27mm)	.510" 12.95mm)	Blank #2 1-3/8" O.D. 3/4" Long	XX	.000020	\$193.00	\$180.00
			X	.000040	161.00	150.00
			Y	.000070	144.00	134.00
			Z	.000100	128.00	119.00
.510" (12.95mm)	.825" 20.96mm)	Blank #3 1-3/4" O.D. 15/16" Long	XX	.000020	\$209.00	\$195.00
			X	.000040	174.00	162.00
			Y	.000070	156.00	145.00
			Z	.000100	139.00	130.00
.825" (20.96mm)	1.135" 28.83mm)	Blank #4 2-1/8" O.D. 1-1/8" Long	XX	.000030	\$238.00	\$222.00
			X	.000060	198.00	184.00
			Y	.000090	178.00	166.00
			Z	.000120	158.00	147.00
1.135" (28.83mm)	1.510" 38.35mm)	Blank #5 2-1/2" O.D. 1-5/16" Long	XX	.000030	\$257.00	\$242.00
			X	.000060	212.00	199.00
			Y	.000090	189.00	178.00
			Z	.000120	167.00	157.00

Ring Holders (for Steel and Carbide ring gages)

Ring Blank	A	B	C	Price
00	1-3/4	2-7/8	3/16	\$112.00
0	1-3/4	2-7/8	3/8	\$112.00
1	2-1/4	3-1/2	9/16	\$112.00
2	2 1/2	4-1/4	3/4	\$112.00
3	2-7/8	5	15/16	\$139.00
4	3-1/4	5-3/4	1 1/8	\$139.00
5	3-5/8	6-1/2	1-15/16	\$139.00



Flange Steel Rings

- Case hardened .050"+ deep & Stabilized, 58-62 Rc
- Inch or Metric Sizes
- Sharp ID corners [Quoted on request](#)
- Class XXX [Quoted on request](#)
- Chrome & Carbide [Quote on request](#)
- Nogo Plus tolerance /Go Minus tolerance / Master (split) tolerance
- Ring Gages are manufactured in accordance with ANSI specification B89.1.6.-1984
- Calibration and Ordering info found on page 12



Range Above	Thru	Blank Size	Class	Tolerance in Inches	1	3+
1.510" (38.35mm)	2.010" 51.05mm)	Blank #6 4" O.D. 1-1/2" Long	XX	.000040	\$338.00	\$316.00
			X	.000080	278.00	260.00
			Y	.000120	252.00	236.00
			Z	.000160	228.00	214.00
2.010" (51.05mm)	2.510" 63.75mm)	Blank #7 4-1/2" O.D. 1-1/2" Long	XX	.000040	\$379.00	\$354.00
			X	.000080	316.00	296.00
			Y	.000120	287.00	268.00
			Z	.000160	259.00	243.00
2.510" (63.75mm)	3.010" 76.45mm)	Blank #8 5" O.D. 1-1/2" Long	XX	.000050	\$424.00	\$396.00
			X	.000100	354.00	331.00
			Y	.000150	323.00	302.00
			Z	.000200	294.00	275.00
3.010" (76.45mm)	3.510" 89.15mm)	Blank #9 5-1/2" O.D. 1-1/2" Long	XX	.000050	\$476.00	\$444.00
			X	.000100	406.00	379.00
			Y	.000150	370.00	346.00
			Z	.000200	336.00	314.00
3.510" (89.15mm)	4.010" 101.85mm)	Blank #10 6-3/8" O.D. 1-1/2" Long	XX	.000050	\$529.00	\$493.00
			X	.000100	459.00	428.00
			Y	.000150	418.00	390.00
			Z	.000200	379.00	354.00
4.010" (101.85mm)	4.760" 120.90mm)	Blank #11 7-1/4" O.D. 1-1/2" Long	XX	.000065	Request Quote	
			X	.000130		
			Y	.000190		
			Z	.000250		
4.760" (120.90mm)	5.510" 139.95mm)	Blank #12 8-1/4" O.D. 1-1/2" Long	XX	.000065	Request Quote	
			X	.000130		
			Y	.000190		
			Z	.000250		

Custom rings and gages can be quoted for the following needs:

- Length
- Unique OD's for Clearance
- Thickness
- Slotted for Clearance
- Weight



Carbide Rings

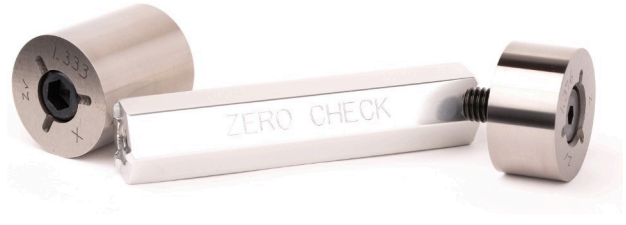
- Carbide ring blanks are stocked for fast delivery
- Tungsten carbide insert grade C2 or equivalent, 91-93 Rc
- Inch or Metric sizes
- Sizes above or below those listed [Quoted on request](#)
- Class XXX [Quoted on request](#)
- Sharp ID corners [Quoted on request](#)
- Nogo Plus tolerance / Go Minus tolerance / Master (split) tolerance
- Calibration and Ordering info found on page 12



Range				Tolerance		
Above	Thru	Blank Size	Class	in Inches	1	3+
.050"	.070"	Blank #00	XX	.000020	\$412.00	\$383.00
(1.27mm	1.78mm)	15/16" O.D.	X	.000040	362.00	337.00
		3/16" Long	Y	.000070	337.00	314.00
			Z	.000100	312.00	290.00
.070"	.100"	Blank #00	XX	.000020	\$384.00	\$357.00
(1.78mm	2.54mm)	15/16" O.D.	X	.000040	339.00	315.00
		3/16" Long	Y	.000070	316.00	294.00
			Z	.000100	294.00	274.00
.100"	.150"	Blank #00	XX	.000020	\$348.00	\$324.00
(2.54mm	3.81mm)	15/16" O.D.	X	.000040	303.00	282.00
		3/16" Long	Y	.000070	280.00	269.00
			Z	.000100	258.00	240.00
.150"	.240"	Blank #0	XX	.000020	\$324.00	\$302.00
(3.81mm	6.10mm)	15/16" O.D.	X	.000040	279.00	260.00
		3/8" Long	Y	.000070	256.00	288.00
			Z	.000100	234.00	218.00
.240"	.365"	Blank #1	XX	.000020	\$335.00	\$312.00
(6.10mm	9.27mm)	1-1/8" O.D.	X	.000040	290.00	270.00
		9/16" Long	Y	.000070	267.00	248.00
			Z	.000100	245.00	228.00
.365"	.510"	Blank #2	XX	.000020	\$343.00	\$319.00
(9.27mm	12.95mm)	1-3/8" O.D.	X	.000040	298.00	277.00
		3/4" Long	Y	.000070	275.00	256.00
			Z	.000100	253.00	236.00
.510"	.825"	Blank #3	XX	.000020	\$392.00	\$365.00
(12.95mm	20.96mm)	1-3/4" O.D.	X	.000040	342.00	318.00
		15/16" Long	Y	.000070	317.00	295.00
			Z	.000100	292.00	272.00
.825"	1.135"	Blank #4	XX	.000030	\$554.00	\$519.00
(20.96mm	28.83mm)	2-1/8" O.D.	X	.000060	479.00	448.00
		1-1/8" Long	Y	.000090	441.00	412.00
			Z	.000120	404.00	377.00
1.135"	1.335"	Blank #5	XX	.000030	\$647.00	\$608.00
(28.83mm	33.91mm)	2-1/2" O.D.	X	.000060	554.00	521.00
		1-5/16" Long	Y	.000090	508.00	478.00
			Z	.000120	462.00	434.00
1.335"	1.510"	Blank #5	XX	.000030	\$693.00	\$652.00
(33.91mm	38.35mm)	2-1/2" O.D.	X	.000060	596.00	561.00
		1-5/16" Long	Y	.000090	547.00	515.00
			Z	.000120	498.00	469.00

Trilocks

- Thru-Hardened & Stabilized, 60-62 Rc up to 2.510"
- Chrome & Carbide [Quoted on request](#)
- Inch or Metric sizes
- "ONE COMPLETE" means a Go and a Nogo member bolted to a double-ended handle, marked for size and class
- Go Plus tolerance / Nogo Minus tolerance
- Calibration and Ordering info found on page 12
- Quantity 4 or more of identical size -7%



Range Above	Thru	Class	Tolerance in Inches	Go Member	Nogo Member	One Complete	Handles Only Number, Size & Price
.760"	.947"	XX	.000030	\$194.00	\$194.00	\$409.00	2-1/2
(19.05mm 24.05mm)		X	.000060	159.00	159.00	339.00	1/2"Hex
Go 1-1/4"	Long	Y	.000090	141.00	141.00	303.00	4" Lg
Nogo 3/4"	Long	Z	.000120	124.00	124.00	269.00	\$21.00
.947"	1.135"	XX	.000030	\$197.00	\$193.00	\$412.00	3-1/2
(24.05mm 28.83mm)		X	.000060	162.00	158.00	342.00	5/8"Hex
Go 1-3/8"	Long	Y	.000090	144.00	140.00	306.00	4" Lg
Nogo 3/4"	Long	Z	.000120	127.00	123.00	272.00	\$22.00
1.135"	1.510"	XX	.000030	\$213.00	\$206.00	\$443.00	4-1/2
(28.83mm 38.35mm)		X	.000060	175.00	168.00	367.00	13/16"Hex
Go 1-1/2"	Long	Y	.000090	150.00	143.00	317.00	4" Lg
Nogo 3/4"	Long	Z	.000120	138.00	131.00	293.00	\$24.00
1.510"	2.010"	XX	.000040	\$241.00	\$230.00	\$498.00	5-1/2
(38.35mm 51.05mm)		X	.000080	201.00	190.00	418.00	1" Hex
Go 1-7/8"	Long	Y	.000120	181.00	170.00	378.00	4-1/4" Lg
Nogo 7/8"	Long	Z	.000160	161.00	150.00	338.00	\$27.00
2.010"	2.510"	XX	.000040	\$286.00	\$271.00	\$586.00	6
(51.05mm 63.75mm)		X	.000080	241.00	226.00	496.00	1-1/8"Hex
Go 2"	Long	Y	.000120	218.00	203.00	450.00	5" Lg
Nogo 7/8"	Long	Z	.000160	196.00	181.00	406.00	\$29.00
2.510"	3.010"	XX	.000050	\$366.00	\$346.00	\$744.00	7
(63.75mm 76.45mm)		X	.000100	316.00	296.00	644.00	1-1/4"Hex
Go 2"	Long	Y	.000150	291.00	271.00	594.00	6" Lg
Nogo 1"	Long	Z	.000200	266.00	246.00	544.00	\$32.00
3.010"	3.510"	XX	.000050	\$396.00	\$371.00	\$799.00	7
(76.45mm 89.15mm)		X	.000100	341.00	316.00	689.00	1-1/4"Hex
Go 2"	Long	Y	.000150	313.00	288.00	633.00	6" Lg
Nogo 1"	Long	Z	.000200	286.00	261.00	579.00	\$32.00
3.510"	4.010"	XX	.000050	\$446.00	\$416.00	\$894.00	7
(89.15mm 101.85mm)		X	.000100	386.00	356.00	774.00	1-1/4"Hex
Go 2-1/8"	Long	Y	.000150	356.00	326.00	714.00	6" Lg
Nogo 1"	Long	Z	.000200	326.00	296.00	654.00	\$32.00
4.010"	4.510"	XX	.000050	\$516.00	\$481.00	\$1,029.00	7
(101.85mm 114.55mm)		X	.000100	451.00	416.00	899.00	1-1/4"Hex
Go 2-1/8"	Long	Y	.000150	418.00	383.00	833.00	6" Lg
Nogo 1"	Long	Z	.000200	386.00	351.00	769.00	\$32.00
4.510"	5.010"	XX	.000065	\$606.00	\$566.00	\$1,204.00	7
(114.55mm 127.25mm)		X	.000130	536.00	496.00	1,064.00	1-1/4"Hex
Go 2-1/8"	Long	Y	.000190	501.00	461.00	994.00	6" Lg
Nogo 1"	Long	Z	.000250	466.00	426.00	924.00	\$32.00
5.010"	5.510"	XX	.000065	\$706.00	\$661.00	\$1,399.00	7
(127.25mm 139.95mm)		X	.000130	631.00	586.00	1,249.00	1-1/4"Hex
Go 2-1/8"	Long	Y	.000190	593.00	548.00	1,173.00	6" Lg
Nogo 1"	Long	Z	.000250	556.00	511.00	1,099.00	\$32.00
5.510"	6.010"	XX	.000065	\$816.00	\$766.00	\$1,614.00	7
(139.95mm 152.65mm)		X	.000130	736.00	686.00	1,454.00	1-1/4"Hex
Go 2-1/8"	Long	Y	.000190	696.00	646.00	1,374.00	6" Lg
Nogo 1"	Long	Z	.000250	656.00	606.00	1,294.00	\$32.00

Taperlocks

- Range .230" - 1.510"
- Thru-Hardened & Stabilized, 60-62 Rc
- Chrome & Carbide [Quoted on request](#)
- Inch or Metric sizes
- "ONE COMPLETE" means a Go and a Nogo member fitted to a double-ended handle.
- Go Plus tolerance / Nogo Minus tolerance
- Calibration and Ordering info found on page 12

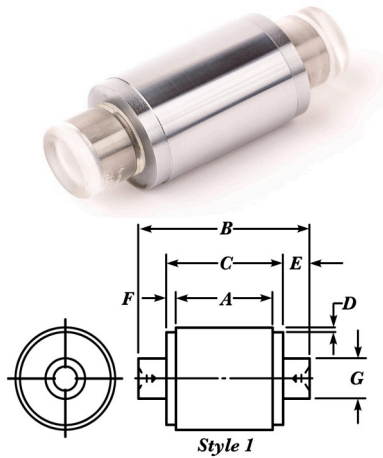


Range Above	Thru	Class	Tolerance in Inches	Go Member	Nogo Member	One Complete	Handles Only Number, Size & Price
.230"	.365"	XX	.000020	\$177.00	\$188.00	\$381.00	1
(5.84mm	9.27mm)	X	.000040	144.00	155.00	315.00	3/8" Hex
Go 3/4"	Long	Y	.000070	128.00	139.00	283.00	2-3/4" Lg
Nogo 5/16"	Long	Z	.000100	112.00	123.00	251.00	\$16.00
.365"	.510"	XX	.000020	\$174.00	\$174.00	\$364.00	2
(9.27mm	12.95mm)	X	.000040	141.00	141.00	298.00	1/2" Hex
Go 1"	Long	Y	.000070	125.00	125.00	266.00	3" Lg
Nogo 3/8"	Long	Z	.000100	109.00	109.00	234.00	\$16.00
.510"	.825"	XX	.000020	\$181.00	\$175.00	\$373.00	3
(12.95mm	20.96mm)	X	.000040	148.00	142.00	307.00	11/16" Hex
Go 1-1/4"	Long	Y	.000070	132.00	126.00	275.00	3-1/4" Lg
Nogo 1/2"	Long	Z	.000100	116.00	110.00	243.00	\$17.00
.825"	1.135"	XX	.000030	\$197.00	\$193.00	\$408.00	4
(20.96mm	28.83mm)	X	.000060	162.00	158.00	338.00	7/8" Hex
Go 1-1/2"	Long	Y	.000090	144.00	140.00	302.00	3-5/8" Lg
Nogo 5/8"	Long	Z	.000120	127.00	123.00	268.00	\$18.00
1.135"	1.510"	XX	.000030	\$213.00	\$206.00	\$438.00	5
(28.83mm	38.35mm)	X	.000060	175.00	168.00	362.00	1" Hex
Go 1-5/8"	Long	Y	.000090	150.00	143.00	312.00	4" Lg
Nogo 3/4"	Long	Z	.000120	138.00	131.00	288.00	\$19.00

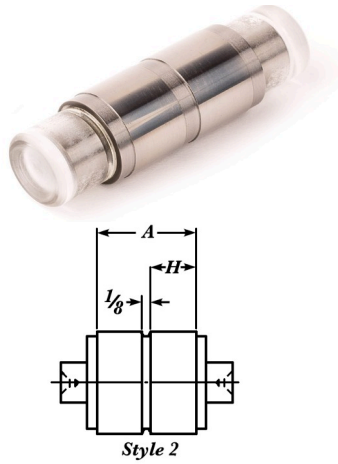
Master Setting Discs

- Thru-Hardened & Stabilized, 60-62 Rc
- Chrome & Carbide [Quoted on request](#)
- Inch or Metric sizes
- All Zero Check master setting discs are ring lapped to size and polished.
- Calibration and Ordering info found on page 12

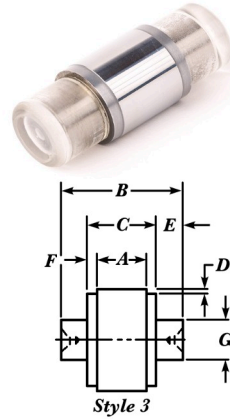
Style 1
Bilateral Tolerance



Style 2
Unilateral Tolerance (Go plus / Nogo minus)



Style 3
Bilateral Tolerance



Grip No.	Size Range	Style 1 & Style 2								Style 3						
		A	B	C	D	E	F	G	H	A	B	C	D	E	F	G
00	.205-.150	.750	1.562	1.062	.005	.250	.156	.050	.312	.375	1.187	.687	.005	.250	.156	.050
0	.150-.230	.875	1.687	1.187	.005	.250	.156	.080	.375	.437	1.250	.750	.005	.250	.156	.080
1	.230-.365	1.000	1.812	1.312	.010	.250	.156	.128	.437	.500	1.312	.812	.010	.250	.156	.128
2	.365-.510	1.125	2.062	1.437	.010	.312	.156	.188	.500	.562	1.500	.875	.010	.312	.156	.188
3	.510-.825	1.250	2.187	1.562	.010	.312	.156	.250	.562	.625	1.562	.937	.010	.312	.156	.250
4	.825-1.135	1.135	2.562	1.687	.010	.437	.156	.500	.625	.687	1.875	1.000	.010	.437	.156	.500
5	1.135-1.510	1.625	2.812	1.937	.010	.437	.156	.625	.750	.812	2.000	1.125	.010	.437	.156	.625

Range Above	Thru	Class	Tolerance in Inches	Style 1	Style 2	Style 3
0.150" (3.81mm)	.230" 5.84mm)	XX	.000020	\$217.00	\$456.00	\$228.00
		X	.000040	184.00	390.00	195.00
		Y	.000070	162.00	346.00	173.00
.230" (5.84mm)	.365" 9.27mm)	XX	.000020	\$207.00	\$436.00	\$218.00
		X	.000040	174.00	370.00	185.00
		Y	.000070	152.00	326.00	163.00
.365" (9.27mm)	.510" 12.95mm)	XX	.000020	\$204.00	\$408.00	\$204.00
		X	.000040	171.00	342.00	171.00
		Y	.000070	149.00	298.00	149.00
.510" (12.95mm)	.825" 20.96mm)	XX	.000020	\$211.00	\$410.00	\$205.00
		X	.000040	178.00	346.00	173.00
		Y	.000070	156.00	302.00	151.00
.825" (20.96mm)	1.135" 28.83mm)	XX	.000030	\$227.00	\$446.00	\$223.00
		X	.000060	192.00	376.00	188.00
		Y	.000090	167.00	326.00	163.00
1.135" (28.83mm)	1.510" 38.35mm)	XX	.000030	\$243.00	\$472.00	\$236.00
		X	.000060	205.00	396.00	198.00
		Y	.000090	178.00	342.00	171.00

- Sizes 1.510" thru 6.010" [Quoted on request](#)
- Standard AGD trilock blanks are used for all master discs above 1.510" -style 2 calls for two style 3 master discs separated by an AGD separator plate, linked together with a tie rod and insulators.

Progressive Gages

Taperlock style

- Range .230" to 1.510"
- Chrome & Carbide [Quote on request](#)
- Inch or Metric sizes
- Go Plus tolerance / Nogo Minus tolerance
- Calibration and Ordering info found on page 12



Range Above	Thru	Class	Tolerance in Inches	Gage Member Only	One Complete	Handle Only Number Size & Price
.230" (5.84mm)	.365" 9.27mm)	XX	.000020	\$355.00	\$371.00	1
		X	.000040	299.00	315.00	3/8" Hex
		Y	.000070	267.00	283.00	2-3/4" Lg
		Z	.000100	235.00	251.00	\$16.00
.365" (9.27mm)	.510" 12.95mm)	XX	.000020	\$348.00	\$364.00	2
		X	.000040	282.00	298.00	1/2" Hex
		Y	.000070	250.00	266.00	3" Lg
		Z	.000100	218.00	234.00	\$16.00
.510" (12.95mm)	.825" 20.95mm)	XX	.000020	\$356.00	\$373.00	3
		X	.000040	290.00	307.00	11/16" Hex
		Y	.000070	258.00	275.00	3-1/4" Lg
		Z	.000100	226.00	243.00	\$17.00
.825" (20.95mm)	1.135" 28.83mm)	XX	.000030	\$390.00	\$408.00	4
		X	.000060	320.00	338.00	7/8" Hex
		Y	.000090	284.00	302.00	3-5/8" Lg
		Z	.000120	250.00	268.00	\$18.00
1.135" (28.83mm)	1.510" 38.35mm)	XX	.000030	\$419.00	\$438.00	5
		X	.000060	343.00	362.00	1" Hex
		Y	.000090	293.00	312.00	4" Lg
		Z	.000120	269.00	288.00	\$19.00

Trilock style

- Thru-Hardened & Stabilized, 60-62 Rc. Range 1.510" to 2.510"
- Chrome plating [Quote on request](#)
- Inch or Metric sizes
- Go Plus tolerance / Nogo Minus tolerance
- Calibration and Ordering info found on page 12



Range Above	Thru	Class	Tolerance in Inches	Gage Member Only	One Complete	Handle Only Number Size & Price
1.510" (38.35mm)	1.760" 44.70mm)	XX	.000040	\$471.00	\$498.00	5-1/2
		X	.000080	391.00	418.00	1" Hex 4-
		Y	.000120	351.00	378.00	1/4" Lg
		Z	.000160	311.00	338.00	\$27.00
1.760" (44.70mm)	2.010" 51.05mm)	XX	.000040	\$496.00	\$523.00	5-1/2
		X	.000080	416.00	443.00	1" Hex 4-
		Y	.000120	376.00	403.00	1/4" Lg
		Z	.000160	336.00	363.00	\$27.00
2.010" (51.05mm)	2.260" 57.40mm)	XX	.000040	\$557.00	\$586.00	6
		X	.000080	467.00	496.00	1-1/8" Hex
		Y	.000120	421.00	450.00	5" Lg
		Z	.000160	377.00	406.00	\$29.00
2.260" (57.40mm)	2.510" 63.75mm)	XX	.000040	\$582.00	\$611.00	6
		X	.000080	492.00	521.00	1-1/8" Hex
		Y	.000120	446.00	475.00	5" Lg
		Z	.000160	402.00	431.00	\$29.00

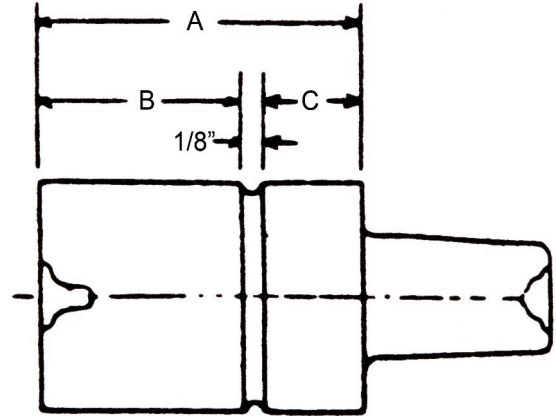
www.ZEROCHECK.com

Tel: 860-283-5629

297 Reynolds Bridge Road Thomaston, CT 06787

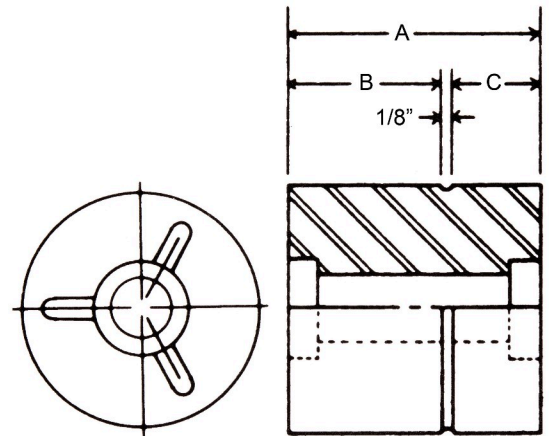
2024 Catalog

Progressive Gages



Taperlock style

HANDLE Number	INCHES		MILLIMETER		LENGTH		
	Above	To Include	Above	To Include	A (Total)	B (Go)	C (Nogo)
1	.240	.365	6.10mm	9.27mm	1-3/16	3/4	5/16
2	.365	.510	9.27mm	12.95mm	1-1/2	1	3/8
3	.510	.825	12.95mm	20.96mm	1-7/8	1-1/4	1/2
4	.825	1.135	20.96mm	28.83mm	2-1/8	1-3/8	5/8
5	1.135	1.510	28.83mm	38.35mm	2-3/8	1-1/2	3/4



Trilock style

HANDLE Number	INCHES		MILLIMETER		LENGTH		
	Above	To Include	Above	To Include	A (Total)	B (Go)	C (Nogo)
5-1/2	1.510	2.010	38.35mm	51.05mm	2-7/8	1-7/8	7/8
6	2.010	2.510	51.05mm	63.75mm	3	2	7/8

Calibration and Ordering info

- Please order by description (plug, trilock, taperlock, ring, etc) then quantity, size, class, then direction of tolerance (go, nogo, or master)
- "Completes" (handle with a go and nogo plug member) are best ordered by: quantity, go size, nogo size, class, and the word "complete"
- Redline priority rush service is available for all our product line. Redline Service will be quoted per individual job for price and delivery
- WARRANTY - Zero Check warrants all gages for 30 days from date of shipment except in cases of obvious customer abuse or mishandling. Zero Check offers no further warranties expressed or implied, and its responsibilities due to any defects or inaccuracies in any gage or certificates shall, in no event nor for any cause whatsoever, exceed the purchase price of the subject gage.
- SPECIAL MARKINGS - Identifying size and class are permanently stamped or etched at no extra cost. Any additional marking will be charged \$5.00 per line for Handles or Caps and \$10.00 per line for Rings
- No minimum order

ALL PRICES ARE NET 30 DAYS, F.O.B. THOMASTON, CT, AND ARE SUBJECT TO CHANGE WITHOUT NOTICE.

Standard Gage Specification

- All gages are manufactured in accordance with ANSI specification B89
- Roundness and Taper of all Gages will not exceed 50% of the gage m
- All Cylindrical gages come with a standard .010"± radius / chamfer
- Unilateral tolerances (one way) on all Go, Nogo, Minimum, or Maximum
- Bilateral (split) on all Master or Set gages
- Carbide 91-93 Rc • Chrome 75-80 Rc • Steel 60-62 Rc



Ring & Plug Gages

"New"

Applies to a Certificate ordered at time of gage purchase

"Customer"

Applies to Gages Sent in to be Calibrated

	New	Customer
.040" - .060" (1.016mm-1.524mm)	\$35ea	\$50ea
.060" - .100" (1.524mm-2.54mm)	\$25ea	\$50ea
.100" - 2.010" (2.54mm-51.05mm)	\$25ea	\$50ea
2.010" - 6.010" (51.05mm-152.65mm)	\$35ea	\$65ea

Sizes below .040" and above 6.010"-----Quoted

Short Form Cert (Any Size) \$4ea

Certificate of Compliance/Conformance

Validating the gage is in size

For lost Certs Zero Check can supply replacements,

Short certs \$2ea

Long Form \$10ea

CYLINDRICAL GAGE CALIBRATION

Customer _____

Date of Inspection _____ P.O. No. _____

Identification Marking _____

RING PLUG MASTER DISC

SPECIFIED SIZE _____ TOLERANCE _____

NOTES _____

POSITION
1 2 3

Measurements taken at center and 1/16" from end of top and bottom radius or chamfer. The 'Y' reading is taken through the axis of the size or witness mark. All measurements are based on the international inch. (1.000" = 25.4 MM)

AXIS
X _____
Y _____

Deviation in Millionths from Specified Size
* Denotes out of tolerance

The precision gage blocks used in measuring this gage have been calibrated with reference to master blocks which are trace able to NIST, Washington, D.C., through _____

TEST NO. _____ DATED _____

Block gage set serial number is _____

The size has been determined to be within ± .000010" at a reference temperature of 68°F / 20°C. We conform to ANSI / NCSL Z540-1-1994.

This certificate is neither a contract nor a contractual representation. The manufacturer's responsibilities due to any defects or inaccuracies in any gage or in the certification shall not in any event nor for any case, whatsoever, exceed the purchase price of the pertinent gage.

ZERO CHECK

P.O. Box 903 • Thomaston, CT 06787 • Telephone 860-283-5629

www.ZEROCHECK.com

Tel: 860-283-5629

297 Reynolds Bridge Road Thomaston, CT 06787

2024 Catalog

LESS THAN AN INCH

.XXX THOUSANDTHS

.004

Four Thousandths

.056

Fifty-Six Thousandths

.483

Four Hundred Eighty-Three Thousandths



.XXXX TENTHS

.0007

Seven Tenths

.0048

Four Thousandths and Eight Tenths

.2573

Two Hundred Fifty-Seven Thousandths and Three Tenths



.XXXXXX MILLIONTHS

.000030

Thirty Millionths

.00003

Thirty Millionths

.000235

Two Tenths and Thirty-Five Millionths

.635428

Six Hundred Thirty-Five Thousandths, Four Tenths and Twenty Eight Millionths



www.ZEROCHECK.com

Tel: 860-283-5629

297 Reynolds Bridge Road Thomaston, CT 06787

2024 Catalog

GAGEMAKER'S TOLERANCE CHART

Range		Class-XX	Class-X	Class-Y	Class-Z
0.010"	0.825"	.000020	.000040	.000070	.000100
.254mm	20.95mm	0.5 μm	1.0 μm	1.75 μm	2.5 μm
0.825"	1.510"	.000030	.000060	.000090	.000120
20.95mm	38.35mm	0.75 μm	1.5 μm	2.25 μm	3.0 μm
1.510"	2.510"	.000040	.000080	.000120	.000160
38.35mm	63.75mm	1.0 μm	2.0 μm	3.0 μm	4.0 μm
2.510"	4.010"	.000050	.000100	.000150	.000200
63.75mm		1.25 μm	2.5 μm	3.75 μm	5.0 μm
101.85mm		.000065	.000130	.000190	.000250
4.010"	6.510"	1.625 μm	3.25 μm	4.75 μm	6.25 μm
101.85mm		.000080	.000160	.000240	.000320
165.35mm		2.0 μm	4.0 μm	6.0 μm	8.0 μm
165.35mm	228.85mm				

Class XXX -- 1/2 of Class XX Tolerance



www.ZEROCHECK.com

Tel: 860-283-5629

297 Reynolds Bridge Road Thomaston, CT 06787

2024 Catalog

ZERO CHECK 2024

.7500 X MASTEREK
ZERO CHECK



MADE IN THE U.S.A.

TOLL FREE: 800-988-1566 | TEL: 860-283-5629
297 REYNOLDS BRIDGE ROAD THOMASTON, CT 06787
EMAIL: SALES@ZEROCHECK.COM